

MBPCX 28 T4 0,18kW Zone 2: FAN (Ex h IIB T4 Gc) + MOTOR (Ex db IIC T4 Gb) (502302840XD)

GENERAL DATA



PLASTIC ATEX FAN WITH FORWARD IMPELLER

MANUFACTURING FEATURES

- Housing made of PP-el plastic (for models size 35 and equal to or greater than size 45) other models PE-el casing
- Forward curved impeller in PP plastic.
- Motor support made of rolled steel sheet with polyester powder finishing coat.
- Stainless steel nuts and bolts.
- Standard asynchronous squirrel-cage motor, IP-55, class F insulation. Standard voltages 230/400V 50Hz for three phase motors up to 4kW and 400/690V 50Hz for higher powers. Equipped with ATEX motors

- Available positions (to be indicated in case of order): LG270, LG0, LG45, LG90, LG135, LG180, LG225, LG315, RD0, RD45, RD90, RD135, RD180, RD225, RD270, RD315.
- The indicated codes correspond to the model in position LG270

APPLICATIONS

Designed for inline installation, they are suitable for:

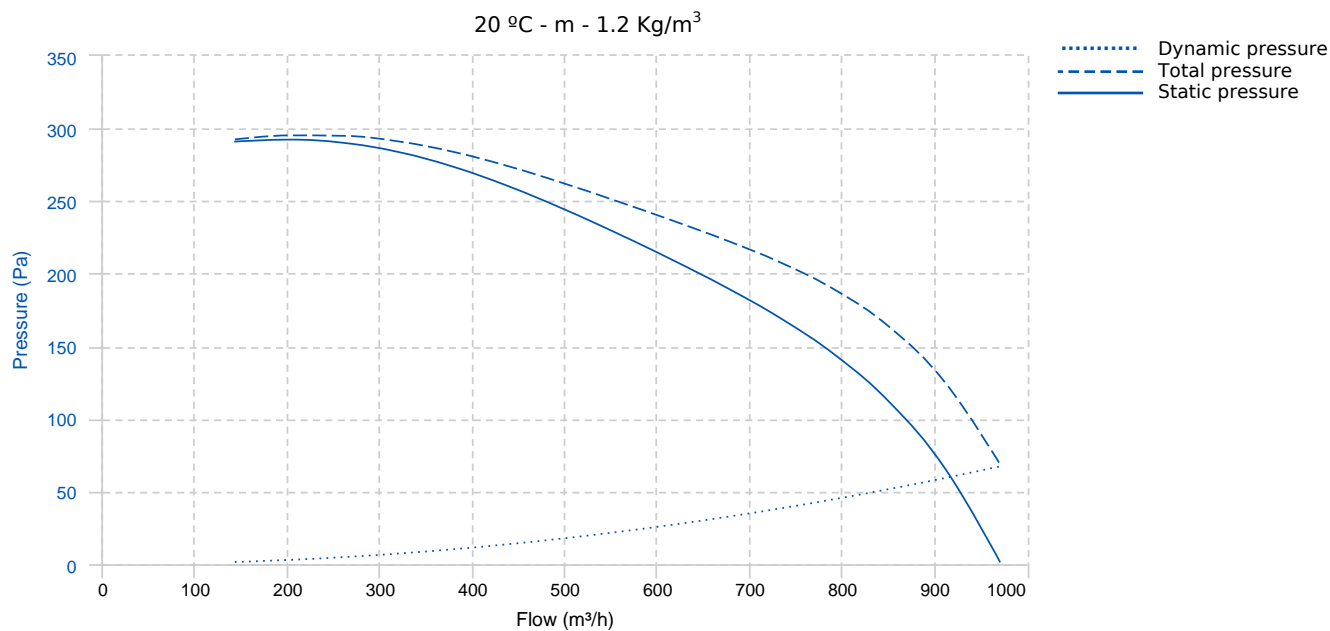
- Corrosive air transport.
- Chemical and petrochemical industry.
- Laboratories and gas cabinets.
- General ventilation in closed environments classified as ATEX zone 2.
- Maximum temperature of transported air: If it is clean air 70°C, other depends on the gas (see table in documentation)

UNDER REQUEST

- 60Hz fans and special voltages fans.
- Stainless steel motor support.

In compliance with the ATEX Directive 2014/34/UE. Certified ATEX IIIG with certified ATEX motor for areas 2 (gas)

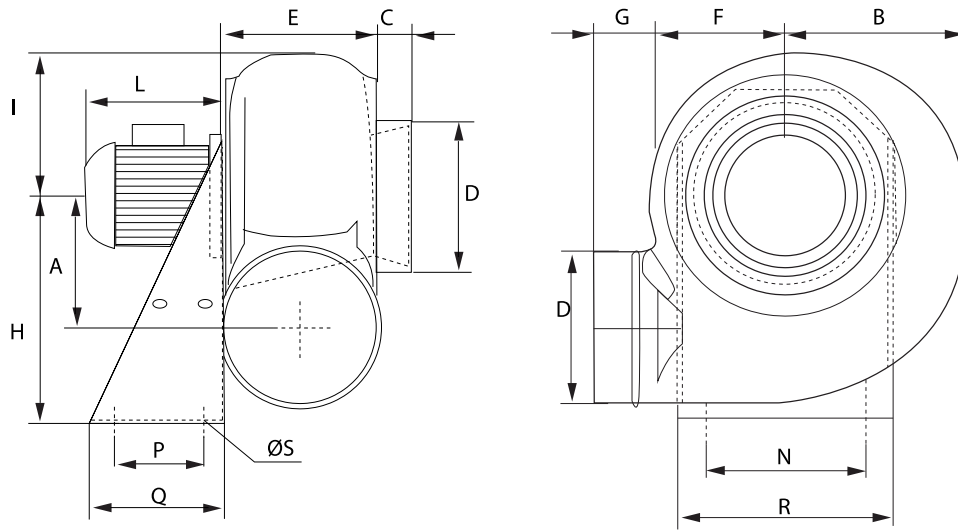
PERFORMANCE CURVE



TECHNICAL DATA

Fan							
RPM	1380	Approx. weight	24 kg	Max. Flow	970 m³/h		
Motor							
Power	0,18 kW	RPM	1380	I max. (400V)	0,76 A	Size	63
Approx. weight	4 kg	Efficiency (%)	60 %	FP	0.67		

DIMENSIONS

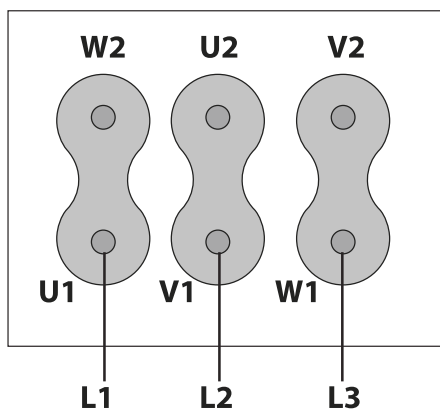


Dimensions (mm)

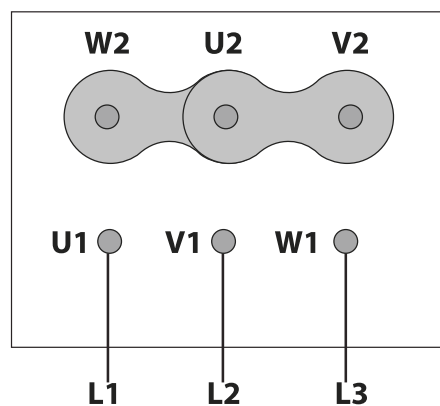
A	208	B	274	C	40	DØ	180	E	160
F	204	G	60	H	350	I	230	L	240
N	277	P	120	Q	190	R	316	ØS	11

WIRING DIAGRAM

230V



400V



ACCESSORIES



**ANTI-VIBRATING FLANGE 400°/2H
BA-400 20**
REF: 960002066



**ATEX SWITCH
INT 16 ATEX**
REF: 510200016X



**DIFUSOR GRID
DG Ø180**
REF: DG180



**DRAIN PLUG
PD 1**
REF: PD1



**WALL SUPPORT
WS 1**
REF: WS1



**FREQUENCY SPEED CONTROLLER
SFC 230 I 2,5A ***
REF: SFC230I003



**ANTI-VIBRATION RUBBER BLOCK
AVR (GENERIC)**



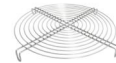
**ANTI-VIBRATION JOINT
JE 45**
REF: A-300719201



**PVC FLEXIBLE JOINT
FJ Ø180**
REF: FJ-180



**CIRCULAR GRAVITY DAMPER
CSC Ø180**
REF: CSC180



**STAINLESS STEEL PROTECTION GRID
RPI Ø180**
REF: RPI180



**ANTI-VITRATION BLOCK
AV 1**
REF: AV-1

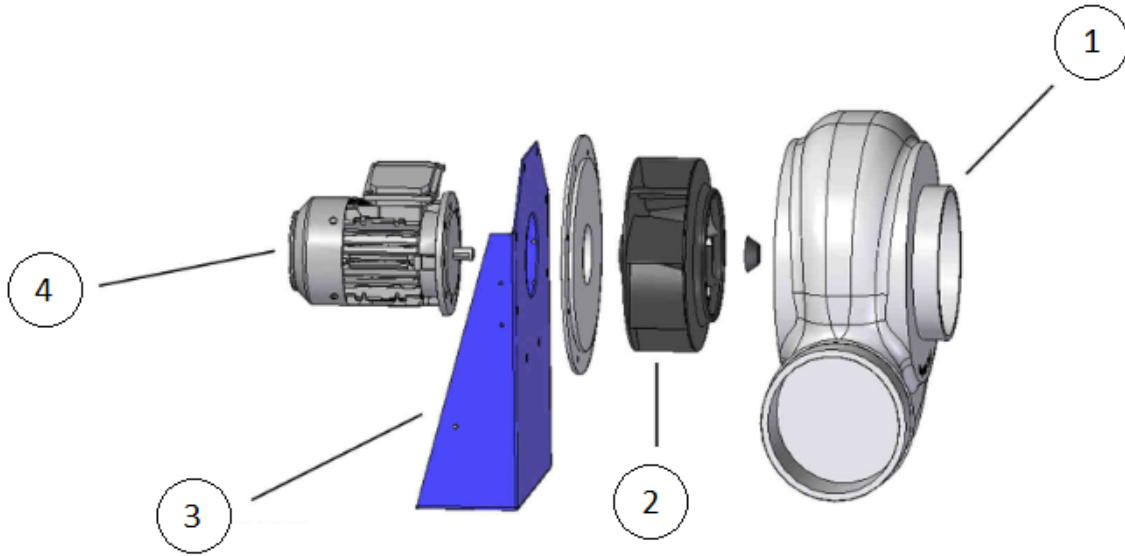


**FREQUENCY SPEED CONTROLLER
SFC 400 III 1,2A ***
REF: SFC400III1



**ANTI-VIBRATION SPRING BLOCK
AVS (GENERIC)**

SPARE PARTS



	Code	Model	Qty
1	T03102840	IMPELLER MBPCX 28 T4 0,18 kW LG	x1